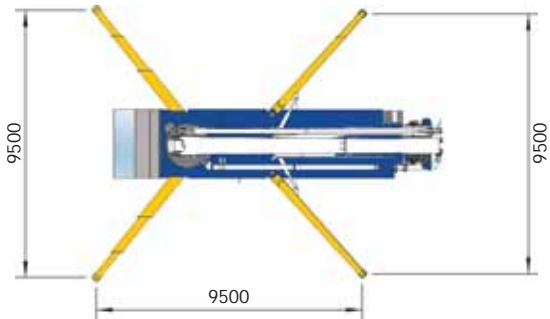
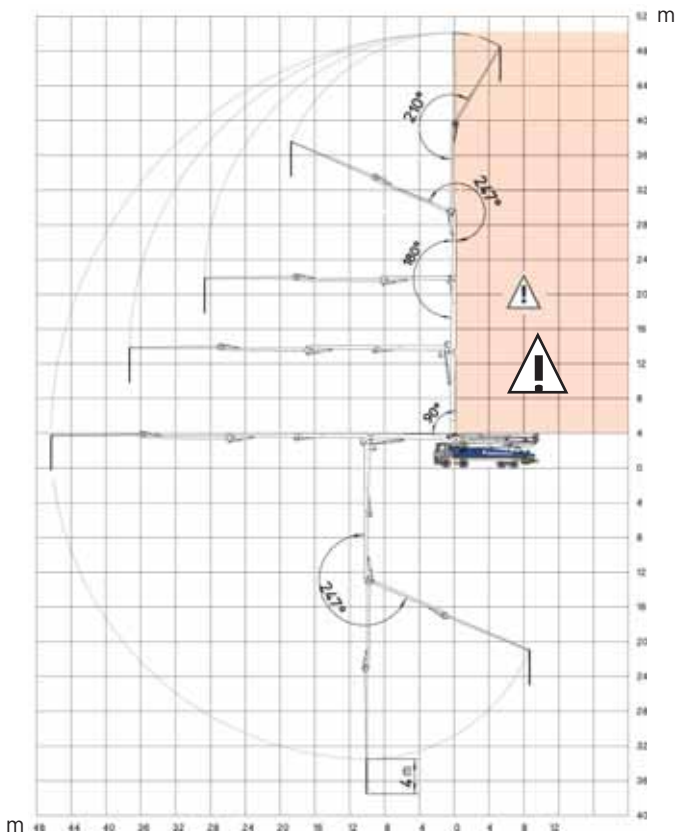


# SIRIO 5RZ51



NO WORKING AREA



## PUMPING UNIT - specifications

	SCL130A	SCL150AHP	SCL185A
TH. CONCRETE OUTPUT (MAX)* ROD SIDE	130 m <sup>3</sup> /h (170 cy/h)	149 m <sup>3</sup> /h (195 cy/h)	184 m <sup>3</sup> /h (241 cy/h)
CONCRETE PRESSURE (MAX)* ROD SIDE	61 bar 884 p.s.i.	76 bar 1102 p.s.i.	61 bar 884 p.s.i.
NUMBER OF STROKES (MAX)* ROD SIDE	27 min	30 min	37 min
PISTON DIAMETER	230 mm	230 mm	230 mm
STROKE LENGTH	2000 mm	2000 mm	2000 mm
POWERED BY	PTO	PTO	PTO
CONCRETE HOPPER	600 l	600 l	600 l

## BOOM - specifications

	5RZ51
NUMBER OF SECTIONS	5
FOLDING TYPE	RZ
MAX VERTICAL REACH	50,1 m
MAX HORIZONTAL REACH	46,3 m
MAX DOWNWARD REACH	-37,5 m
UNFOLDING HEIGHT	10,75 m
ROTATION	370°
SECTION ARTICULATION	90° - 180° - 180° - 247° - 266°
CONCRETE PIPELINE	Ø 125 mm

\*Cannot be reached simultaneously

Also available different models: please, don't hesitate to contact our offices